

DATE: _____ PROJECT: _____ LOCATION: _____ TYPE: _____

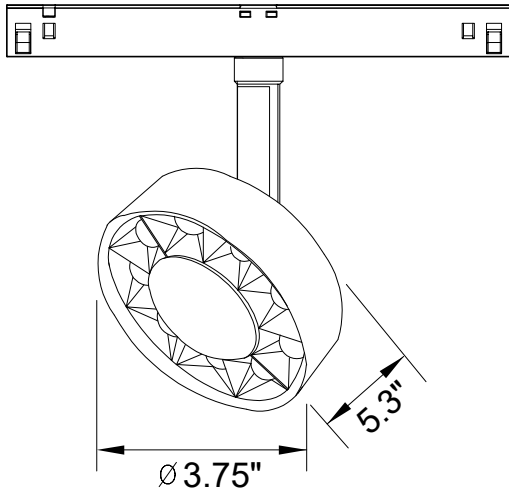


FEATURES

The specification and architectural-grade linear LED modular system is a low voltage (48VDC) LED lighting, offering tremendous flexibility in terms of placement and aesthetics. The system consists of three basic elements: a track, a transformer and lighting components. The tracks, in which the interchangeable lighting components can be easily positioned and exchanged by means of magnets, can be mounted in different ways: Recessed (Flanged or Trimless), Surface-Mounted and Pendant.”

- Construction: Aluminum, paint-coated
- Continuous Row: Full ability to tandem mount for continuous run applications
- Custom Design: Magnetic module components
- Finish: Black & White
- Color Temperature: 3000K, 4000K & 5000K (Residential, Hospitality, Retail)
- Warranty: 4 years carefree for parts & components
- Listings: cETL (LED Driver Only)

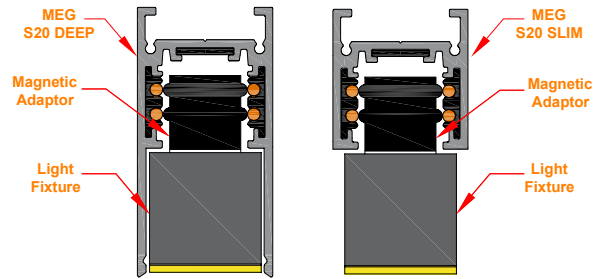
DIMENSIONS



SPECIFICATION

PRODUCT SIZE	Ø3.74" X H 5.3"
MATERIAL	Aluminum
COLOR RENDERING INDEX	Ra≥90
COLOR TEMPERATURE	3000K/3500K/4000K/5000K
INPUT VOLTAGE	100-240V
OUTPUT VOLTAGE	48V
OUTPUT WATTAGE	9W
LUMENS OUTPUT	900LM
BEAM SPREAD	24°
IP RATING	IP20
MOUNTING	Magnetic snap
APPLICATION	Indoor, Living room, Bedroom, etc.

FIXTURE RATINGS & CERTIFICATIONS



ORDERING KEY



1 - MODEL #	2 - SIZE (LED OUTPUT)	3 - BEAM	4 - CRI	5 - COLOR TEMP	6 - CRI	COMMENT
LUM-S20 BEAM DISK	A3.7 - Ø3.74" x H5.5" (9W)	B1 - 24°	Ra≥90	30K - 3000K 35K - 3500K 40K - 4000K 50K - 5000K	0-10V DIM	
	7 - FINISH	8 - MOUNTING	9 - MAGNETIC TRACK SIZE			
	W - White BLK - Black	P1 - Magnetic Snap	MEG S20 SLIM - 1.04" * 1.414" MEG S20 DEEP - 1.04" * 2.125"			