

DATE: _____ PROJECT: _____ LOCATION: _____ TYPE: _____

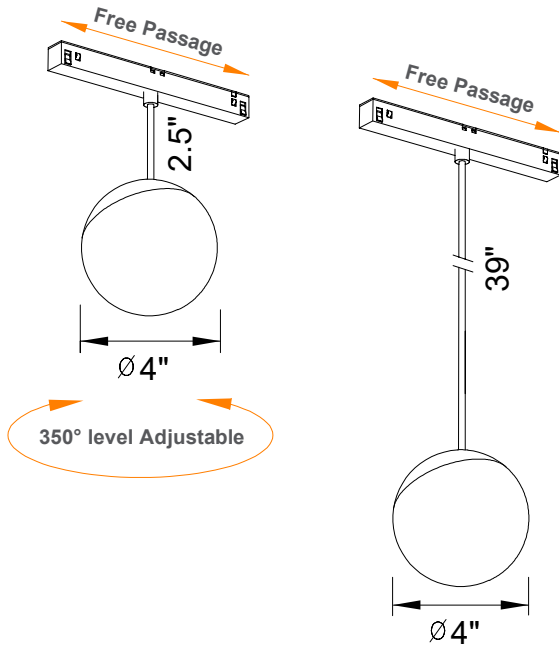


FEATURES

The specification and architectural-grade linear LED modular system is a low voltage (48VDC) LED lighting, offering tremendous flexibility in terms of placement and aesthetics. The system consists of three basic elements: a track, a transformer and lighting components. The tracks, in which the interchangeable lighting components can be easily positioned and exchanged by means of magnets, can be mounted in different ways: Recessed (Flanged or Trimless), Surface-Mounted and Pendant.

- Construction: Aluminum, paint-coated
- Continuous Row: Full ability to tandem mount for continuous run applications
- Custom Design: Magnetic module components
- Finish: Black & White
- Color Temperature: 3000K, 4000K & 5000K (Residential, Hospitality, Retail)
- Warranty: 4 years carefree for parts & components
- Listings: cETL (LED Driver Only)

DIMENSIONS



SPECIFICATION

PRODUCT SIZE	Ø4" X H 4"
MATERIAL	Aluminum
COLOR RENDERING INDEX	Ra≥90
COLOR TEMPERATURE	3000K/4000K/5000K
INPUT VOLTAGE	100-240V
OUTPUT VOLTAGE	48V
OUTPUT WATTAGE	10W
LUMENS OUTPUT	850LM
BEAM SPREAD	120°
IP RATING	IP20
MOUNTING	Adjustable suspended
APPLICATION	Indoor, Living room, Bedroom, etc.

FIXTURE RATINGS & CERTIFICATIONS



ORDERING KEY



1 - MODEL #	2 - SIZE	3 - CRI	4 - COLOR TEMP	5 - FINISH	6 - DIM	COMMENT					
LUM-GLOBE 120°	AØ4" - Ø4" X H 4"	Ra≥90	30K - 3000K 40K - 4000K 50K - 5000K	W - White BLK - Black	0-10V DIM						
7 - MOUNTING			8 - MAGNETIC TRACK SIZE								
P1 - Pendant Cable Mount P2 - Pendant Stem Mount			MEG S20 SLIM - 1.04" * 1.414" MEG S20 DEEP - 1.04" * 2.125"								